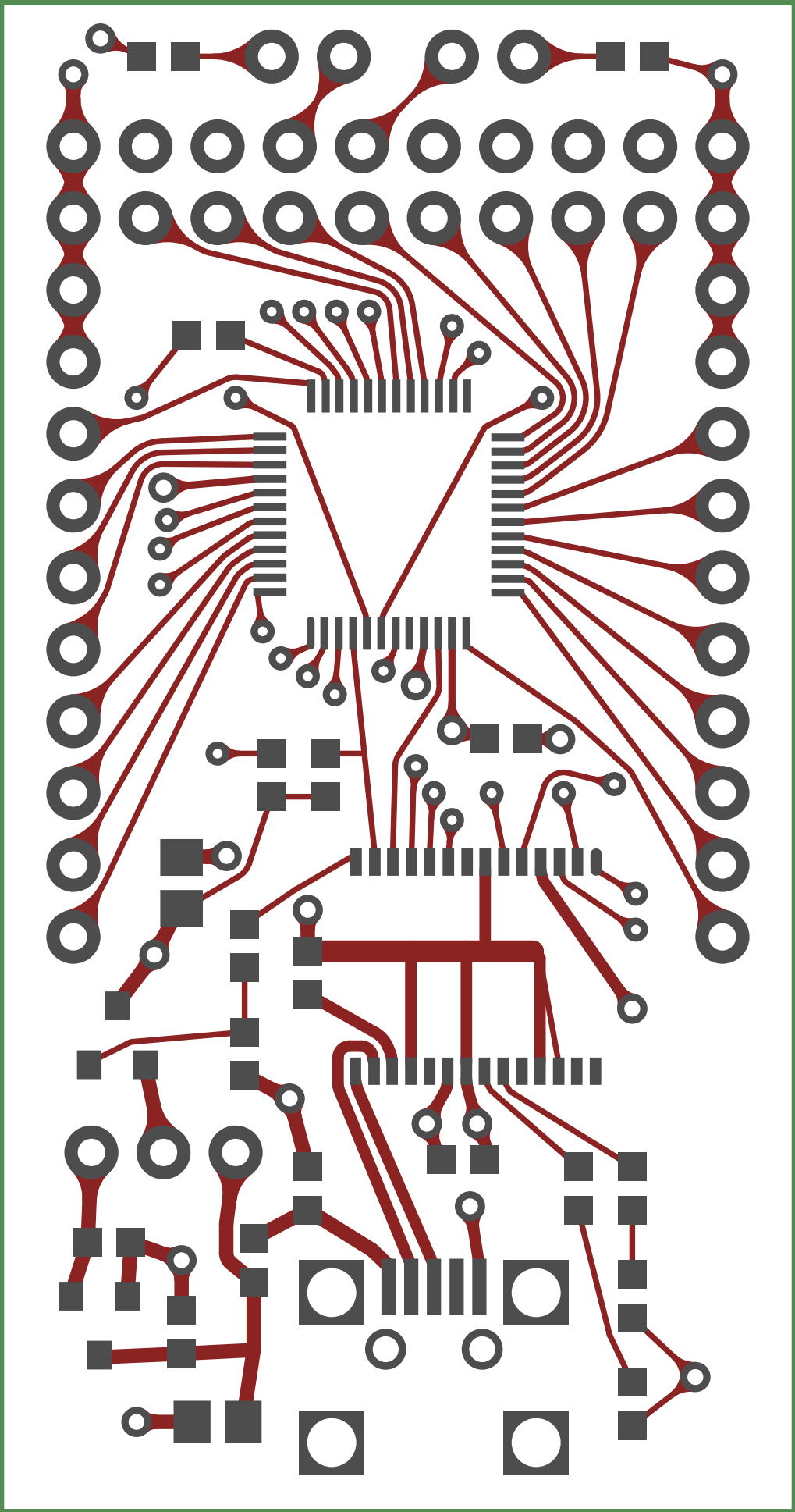
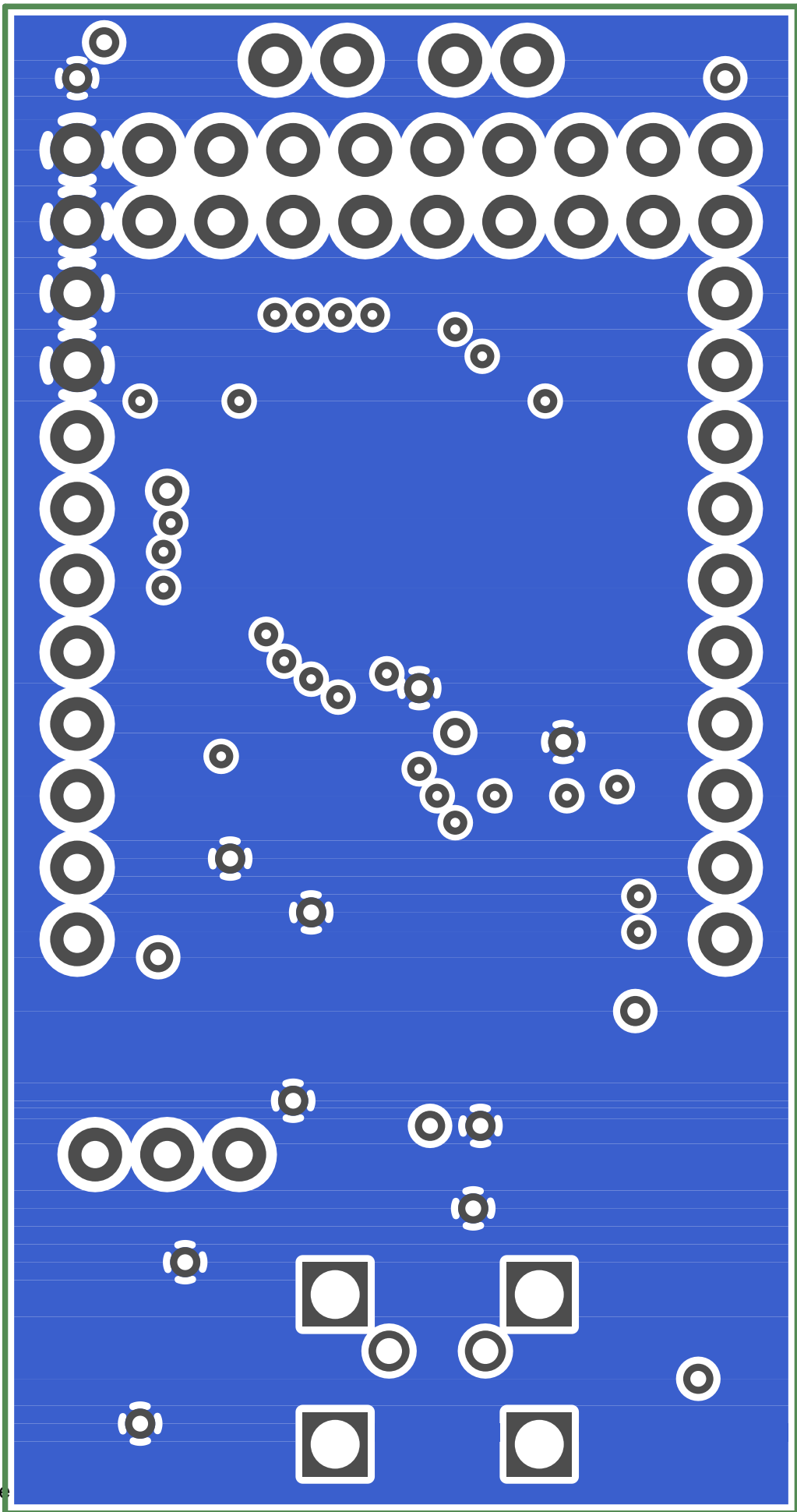


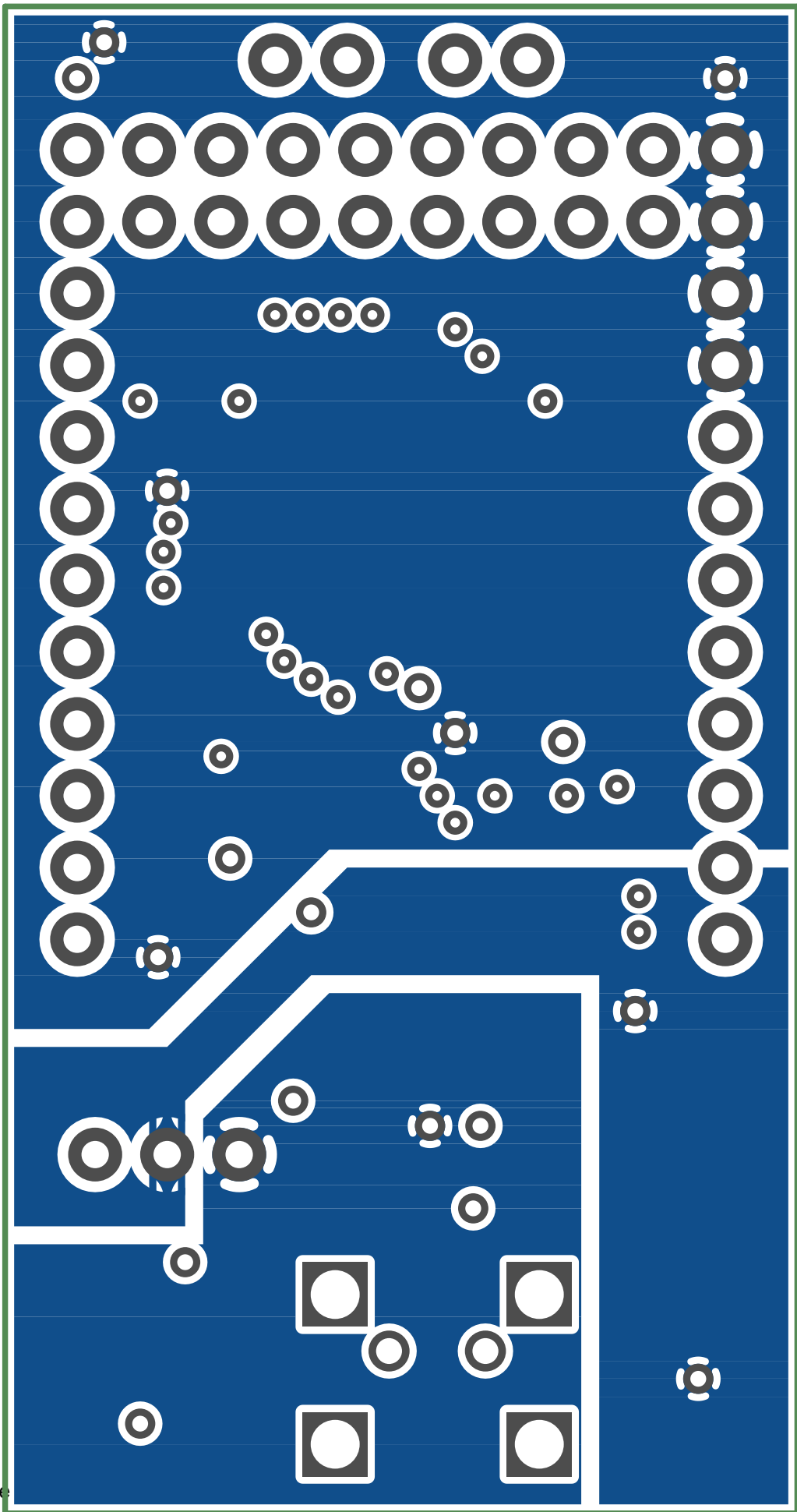
2. component
3. Ground
4. Power
5. solder
6. outline
7. componentmask
8. soldermask
9. plated-drill
10. topsilk
11. bottomsilk
12. toppaste
13. topassembly
14. bottomassembly
15. fab



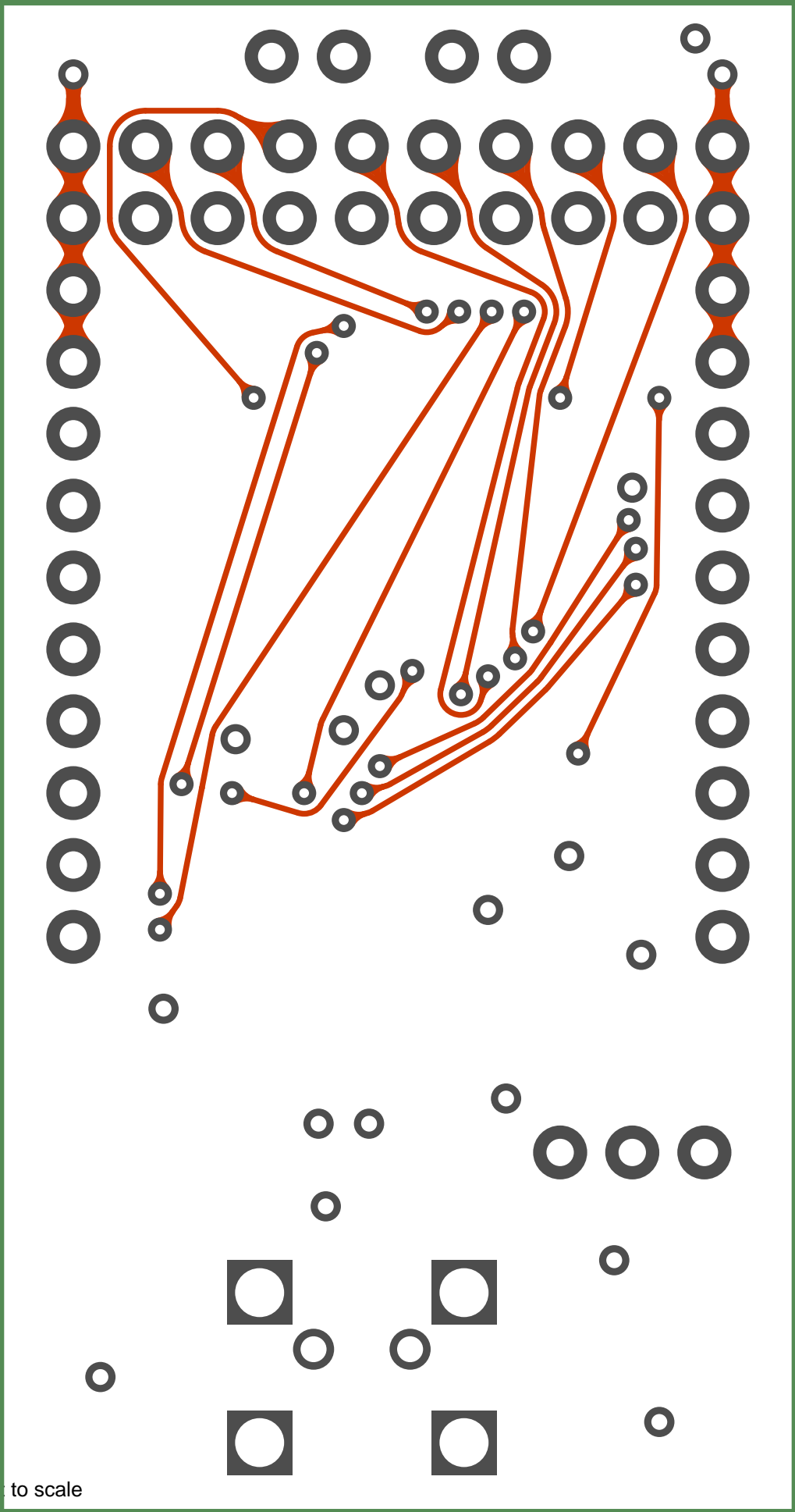
front, not to scale
usb-gpio-pp.pcb



group1, not to scale
usb-gpio-pp.pcb

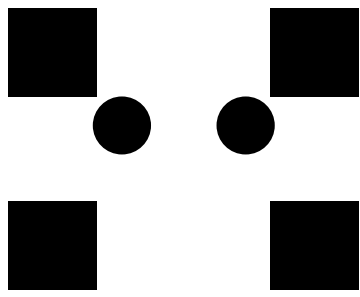
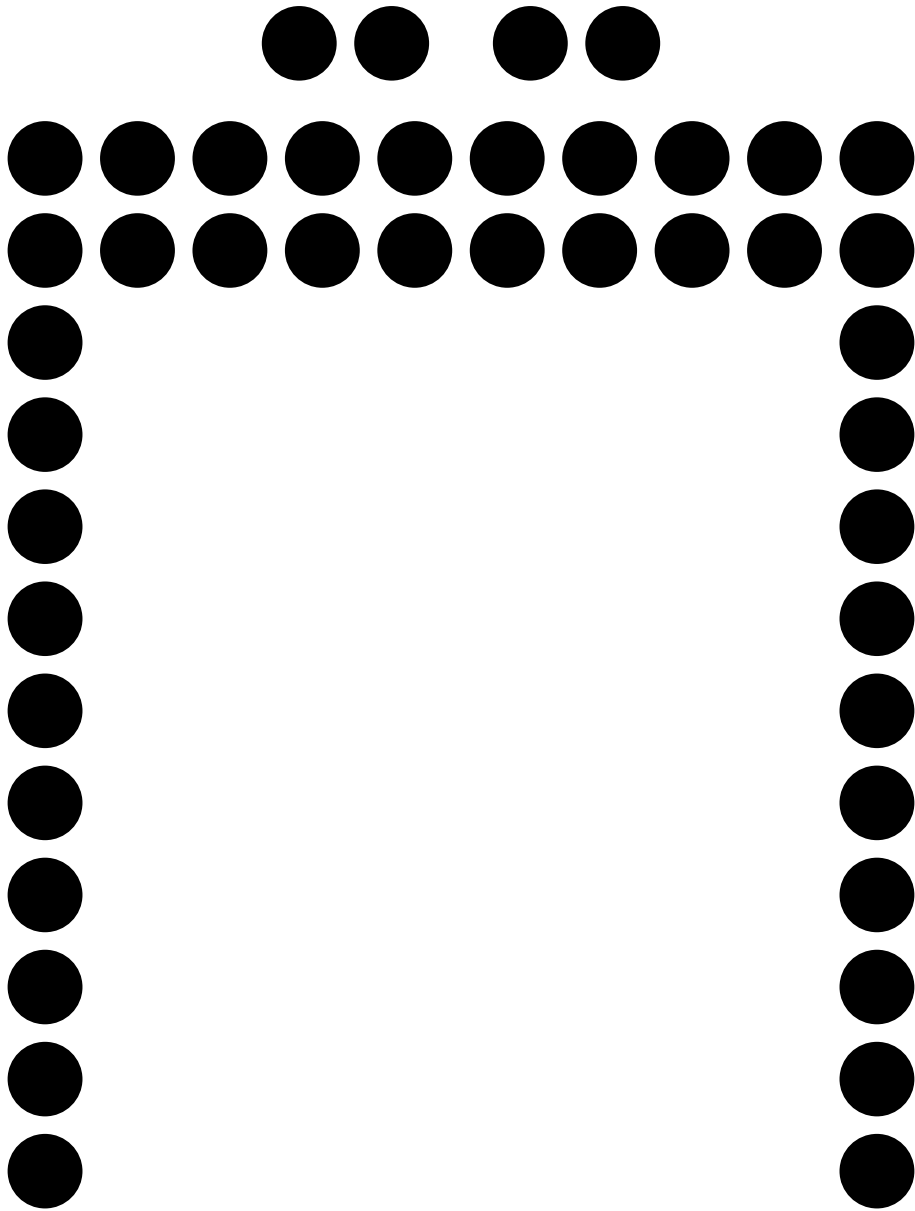


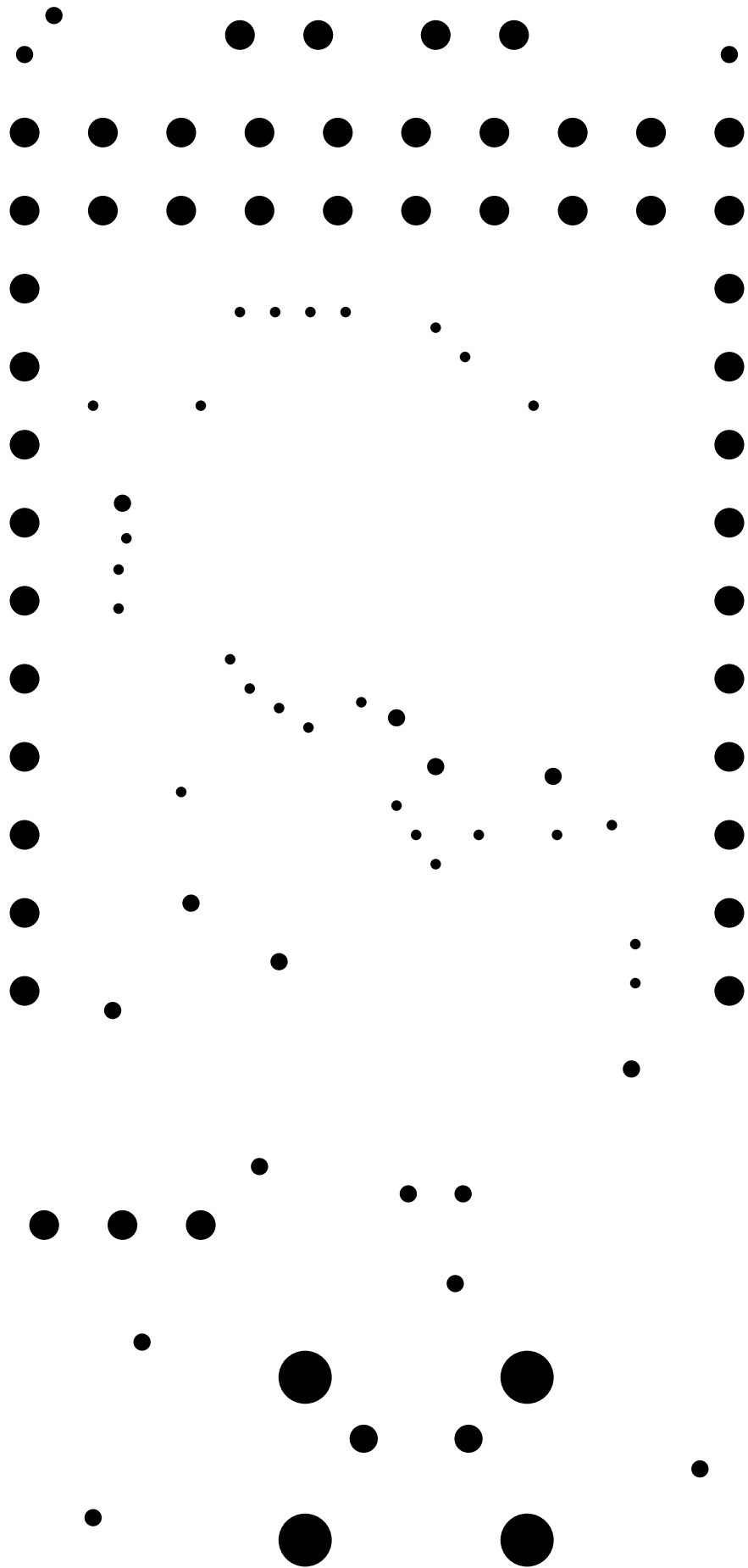
group2, not to scale
usb-gpio-pp.pcb



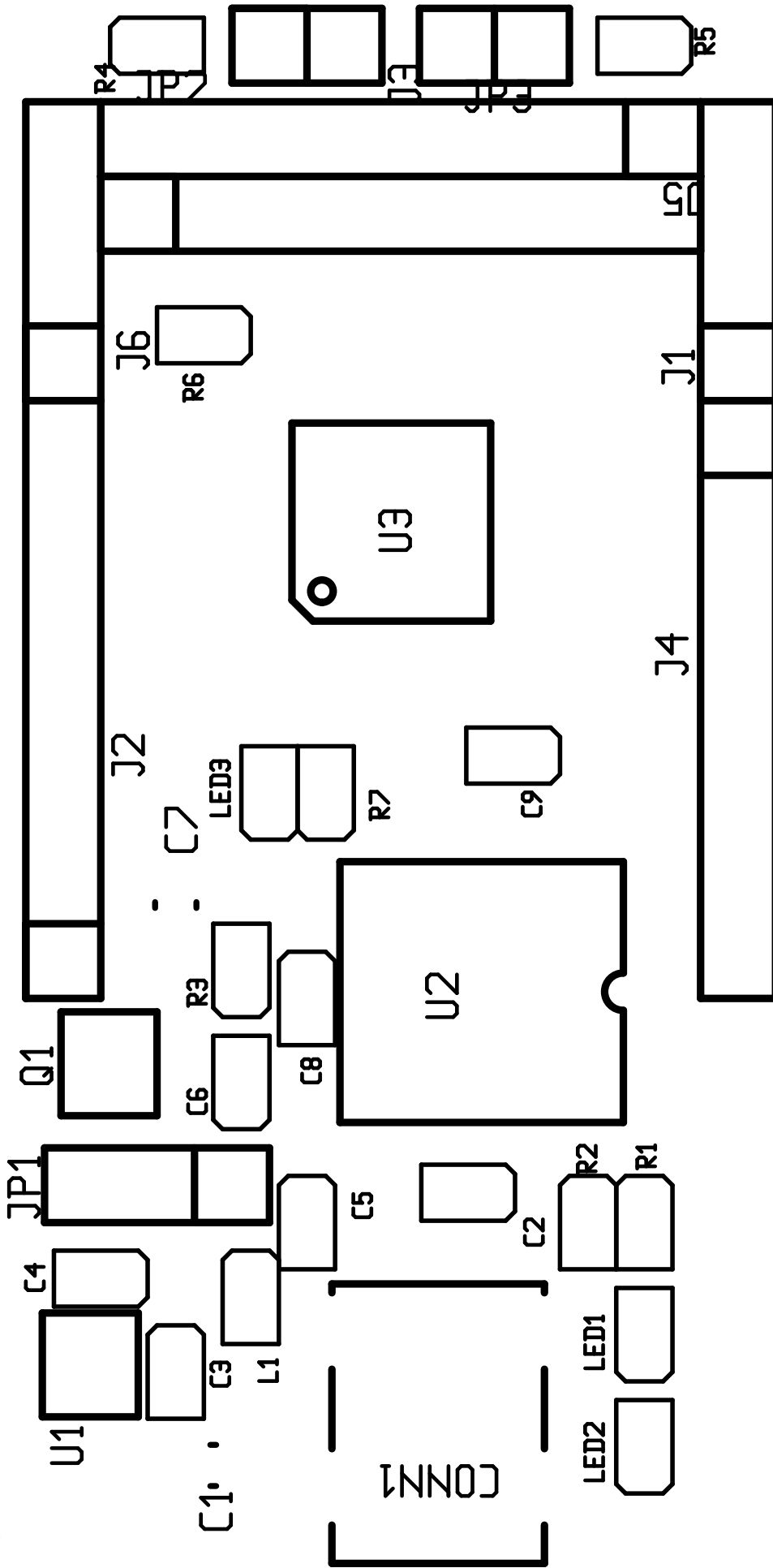
back (mirrored), not to scale
usb-gpio-pp.pcb

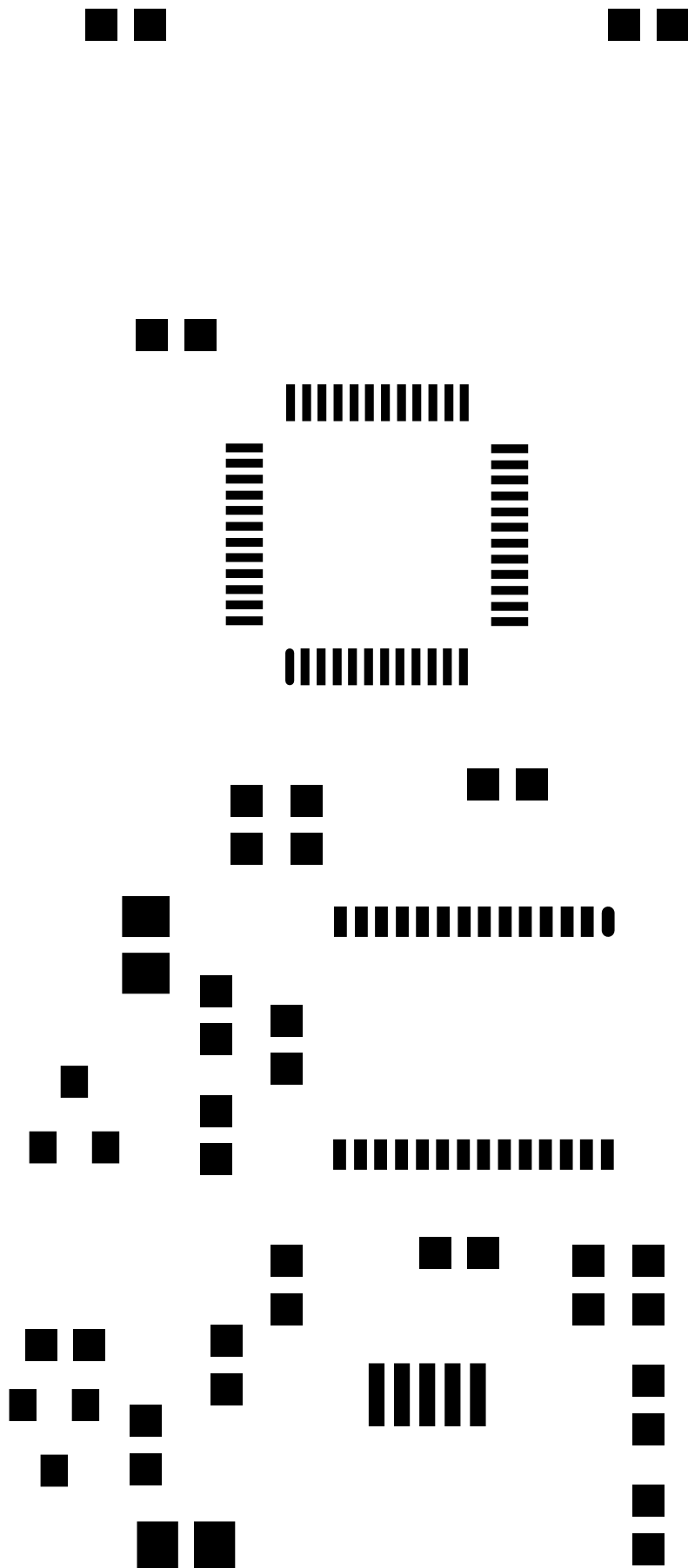
outline, not to scale
usb-gpio-pp.pcb

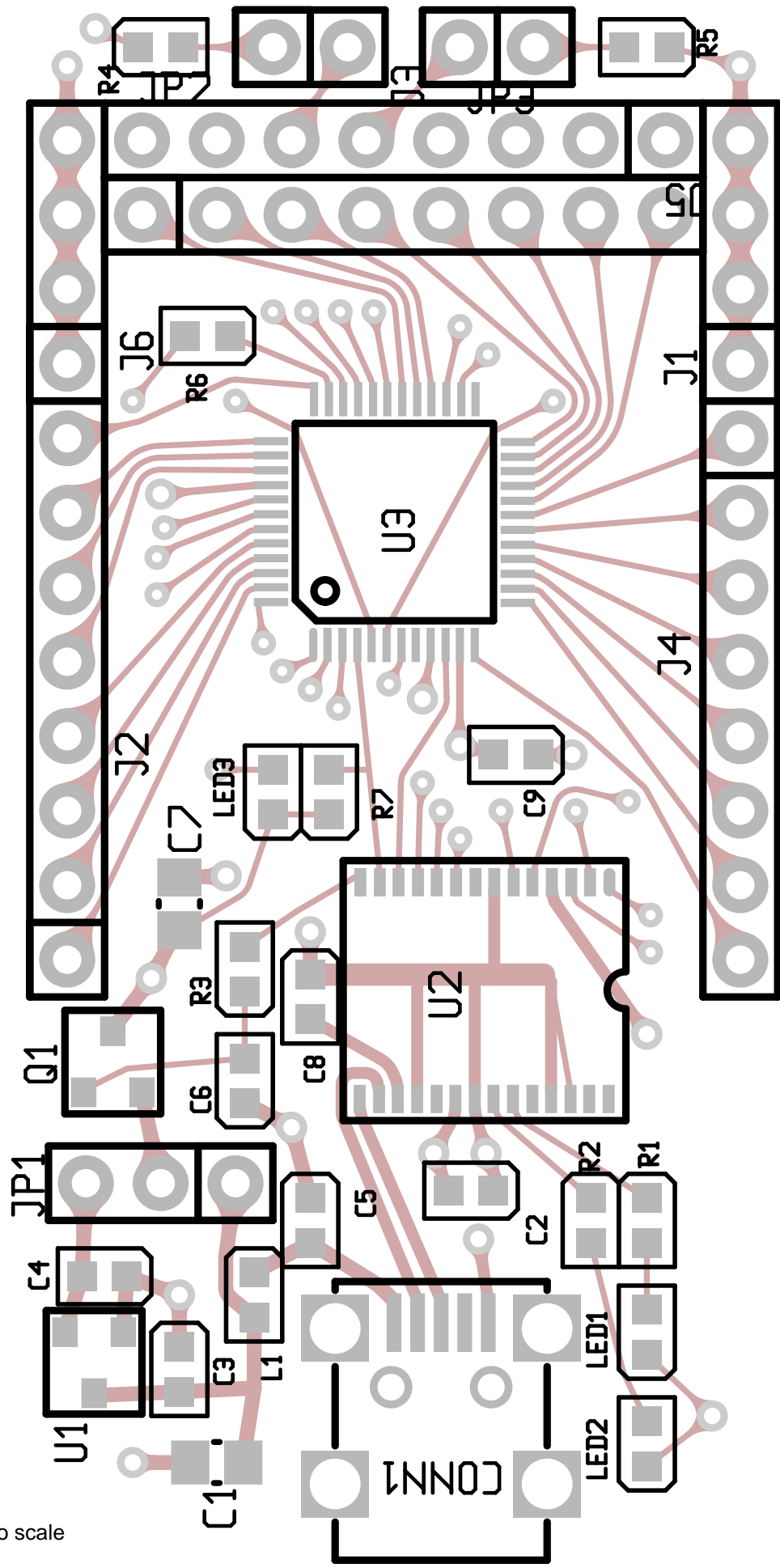




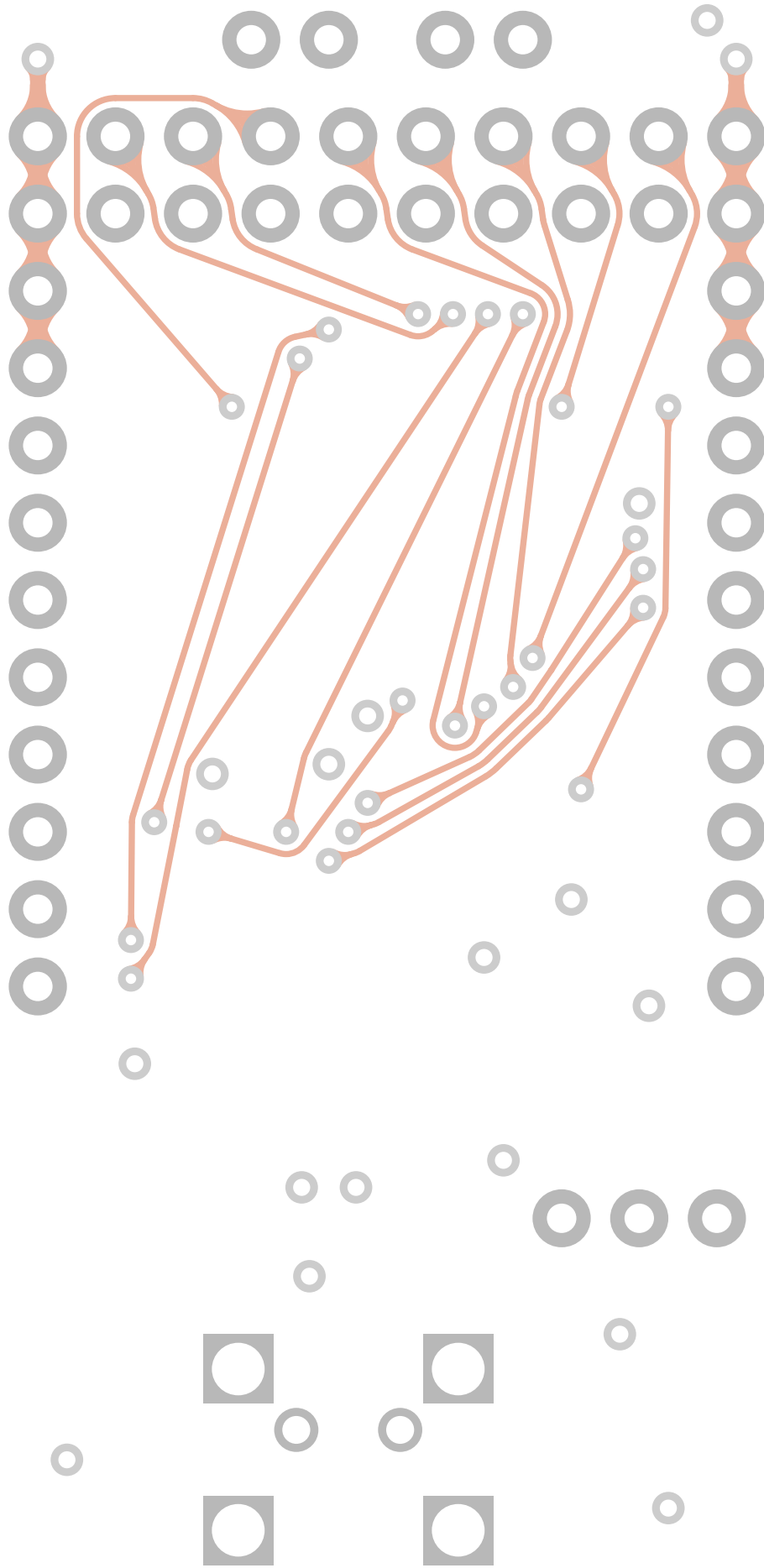
plated-drill, not to scale
usb-gpio-pp.pcb







frontassembly, not to scale
usb-gpio-pp.pcb

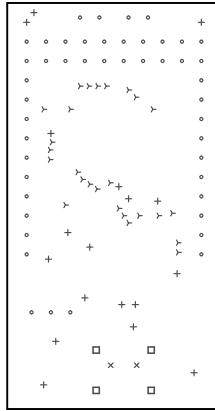


backassembly (mirrored), not to scale
usb-gpio-pp.pcb

There are 5 different drill sizes used in this layout, 97 holes total

Symbol	Diam. (Inch)	Count	Plated?
y	0.014	26	YES
+	0.022	18	YES
x	0.036	2	YES
o	0.038	42	YES
□	0.068	4	YES

Title: (unknown) - Fabrication Drawing
 Author: DJ Delorie
 Date: Sat Dec 22 22:19:47 2007 UTC



Board outline is the centerline of this path